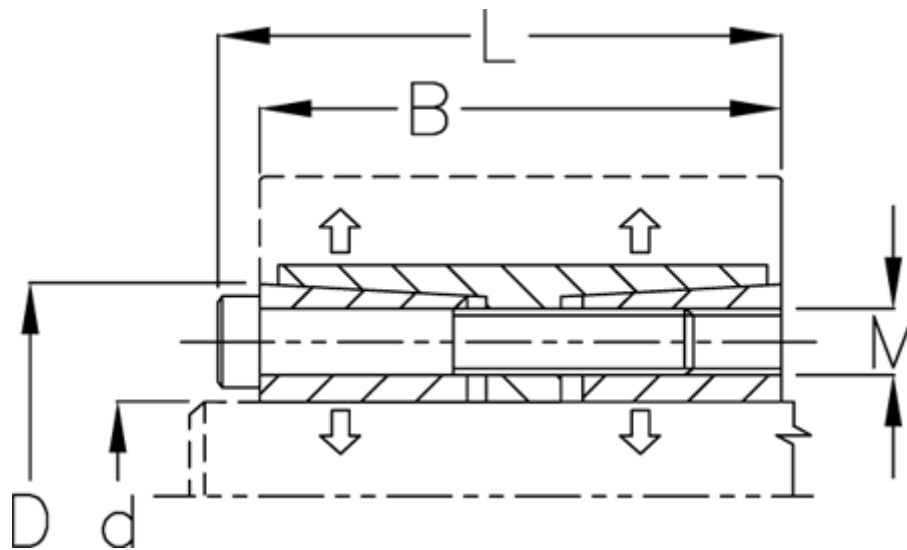


Article number: 439600480

Description: Rota-fix shaft-hub connection FS480x575

Note: Self centering - very high torque.

Measures



| | |
|---|--------------------|
| B mm | = 155 |
| d H8 mm | = 480 |
| D mm | = 575 |
| Fit tolerance | = Aksel h8, Nav H8 |
| F kN torque | = 3479.0 |
| L mm | = 177 |
| M mm | = M22 |
| P N/mm ² surface pressure on shaft/hub | = 140 |

| | |
|-------------------------------|--------------------|
| Surface roughness | = R? ? 3.2 μ m |
| T N m torque | = 835000 |
| Ts N m bolt tightening torque | = 930.0 |